



**Global Architectural Openings Solutions**

**Fire Rated Panic  
Exit Hardware**

**ANSI & EN Range**



**Contact us:**  
**+44 - 741 5132931**  
**info@gaos-dhw.co.uk**  
**Unit1, Baxter Road**  
**Sheffield S61JF**  
**United Kingdom**

# Panic Exit Hardware:

Panic and emergency hardware includes a variety of devices installed on escape doors to facilitate quick evacuation from a building. In the UK, these devices are commonly fitted to final exit doors but can also be used on internal doors. These doors are typically securely locked to prevent unauthorized entry, yet they must always allow people inside to exit swiftly and easily in an emergency. Our portfolio offers a comprehensive collection, including classic UK-style push bar or touch bar solutions for timber and steel doors, slimline designs ideal for glazed doors, high-security units, and mortice products for aluminum door sets. We take pride in the fact that many of our ranges are designed and manufactured in our factories, ensuring a tailored and reliable solution for every exit hardware application.



# Touch Panic Exit Devices

## PED1000 Series:

Full Length of device for doors width from 610mm up to 1219mm.

Standard door height 2134mm. Optional Extension rods for 2438mm doors.

### 1- PED1000: Touch Type Panic Exit Rim Device

- Non Handed
- Material: Steel, Stainless steel.
- Finish: 1) Painted Steel, and Satin Stainless Steel.  
2) Optional: Polishing, PVD, Black, Red.



### 2- PED1100: Touch Type Panic Exit Bolts

- Non Handed
- Material: Steel, Stainless steel.
- Finish: 1) Painted Steel, and Satin Stainless Steel.  
2) Optional: Polishing, PVD, Black, Red.



### 3- PED1001 External Handle:

- Non-handed
- Cylinder can be changed on site
- Door thickness 44-50mm
- Material: Steel, Stainless steel
- Finishes: 1) Standard: stainless steel, silver painted  
2) Optional: Polishing, PVD, Black, Red.



## PED4000 Series:

### Heavy Duty Panic Exit Device:



#### 1- PED 4000: Touch Type Panic Exit Rim Device

- Tested up to 500,000 cycle.
- Security anti-thrust latch.
- Non handed.
- Certificates: ANSI/BHMA A156.3 grade1  
UL10C, 3 hours fire rated.
- Material: Steel, Stainless steel, Aluminum.
- \* Finishes: 1) Standard: Satin Stainless steel, Silver Painted.  
2) Optional: Polishing, PVD, Black, Red.



**PED4000**

#### 2- PED4100: Touch Type Panic Exit Bolts

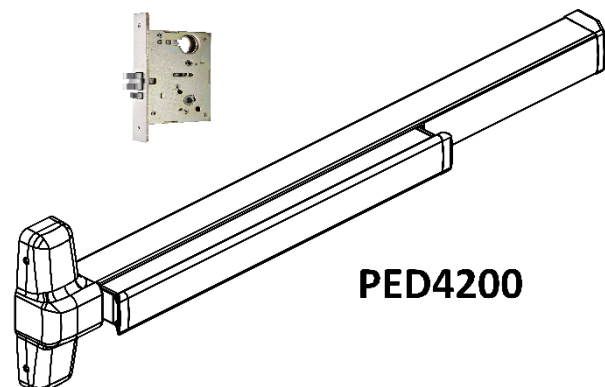
- Tested up to 500,000 cycle.
- Security anti-thrust latch.
- Non handed.
- Certificates: ANSI/BHMA A156.3 grade1  
UL10C, 3 hours fire rated.
- Material: Steel, Stainless steel, Aluminum.
- \* Finishes: 1) Standard: Satin Stainless steel, Silver Painted.  
2) Optional: Polishing, PVD, Black, Red.



**PED4100**

#### 3- PED4200: Touch Type Panic Exit Mortise Lock.

- Tested up to 500,000 cycle.
- Security anti-thrust latch.
- Non handed.
- Certificates: ANSI/BHMA A156.3 grade1  
UL10C, 3 hours fire rated.
- Material: Steel, Stainless steel, Aluminum.
- \* Finishes: 1) Standard: Satin Stainless steel, Silver Painted.  
2) Optional: Polishing, PVD, Black, Red.

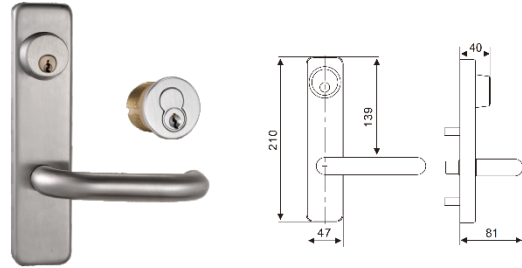


**PED4200**

#### 4- Escutcheon Trims:

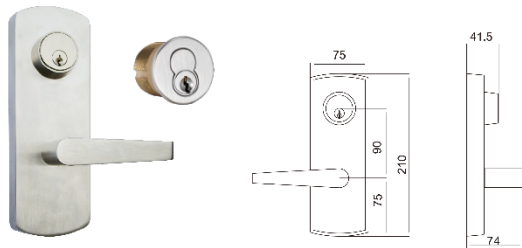
### PED 4001, Escutcheon trim

1. Non-handed
2. Standard with ACY-28.6mm cylinder
3. SFIC Cylinder is optional: CMPA401-ACC, cylinder housing 34.9mm
4. Door thickness 44-50mm
5. Material:
  - 1) Stainless steel
  - 2) Steel
6. Finishes:
  - 1) Standard finish: stainless steel, silver painted
  - 2) Optional finish: Polishing, PVD, Black, Red
7. UL10C fire rated, pending



### PED 4002, Escutcheon trim

1. Free wheeling, clutch design
2. Non-handed
3. Standard with ACY-28.6 cylinder
4. SFIC Cylinder is optional: CMPA410-ACC, cylinder housing 34.9mm
5. Door thickness 44-50mm
6. Material:
  - 1) Stainless steel
  - 2) Steel
7. Finishes:
  - 1) Standard finish: stainless steel, silver painted
  - 2) Optional finish: Polishing, PVD, Black, Red
8. UL fire rated, pending



Model	PED4001-L PED4002-L	PED4001-BE PED4002-BE	PED4001-DT PED4002-DT
Operation Options	Key locks or unlocks lever	Latchbolt operated by lever at any time	Lever rigid at any time, no outside function
Picture			
Function	Classroom	Passage	Dummy
ANSI Function	08	14	02

## PEDH Series:

The PEDH Series heavy-duty exit device combines outstanding durability with an elegant design, while its sleek, low-profile touch bar assembly helps minimize the risk of snagging.

### **PEDH-1E: Touch bar mortise euro Lock:**

Compliance to EN1125, EN1634-1 fire rated

Non-handed

Material: 1) Stainless Steel

2) Painted Steel

Finish: 1) Standard Finishes : Satin or Silver

2) Optional Finishes: Polish, PVD, White, RED, Black, etc.



### **PEDH-1A: Touch bar mortise euro Lock:**

Compliance to ANSI/BHMA A156.3 grade 1, UL fire rated

Non-handed

Material: 1) Stainless Steel

2) Painted Steel

Finish: 1) Standard Finishes : Satin or Silver

2) Optional Finishes: Polish, PVD, White, RED, Black, etc.



# Panic Exit Bars:

## Pb1000 Series:

Panic exit bar suitable for steel, wooden, and aluminum narrow style doors.

Standard push bar length 850mm. Optional extended length is 1200mm.

Standard door length 2134mm. optional extended rods for doors up to 2438mm.

### 1- Pb1000 panic rim push bar:

- Handed
- Certificates: EN1125, 376B1422AA/B  
EN1634, 2 hours fire rated.
- Material: Steel, Stainless steel, Plastic.
- Finishes: 1) Standard: Satin Stainless steel, Silver Painted.  
2) Optional: Polishing, PVD, Black.



### 2- Pb1100 panic bolt push bar:

- Handed
- Certificates: EN1125, 376B1422AA/B  
EN1634, 2 hours fire rated.
- Material: Steel, Stainless steel, Plastic.
- Finishes: 1) Standard: Satin Stainless steel, Silver Painted.  
2) Optional: Polishing, PVD, Black.



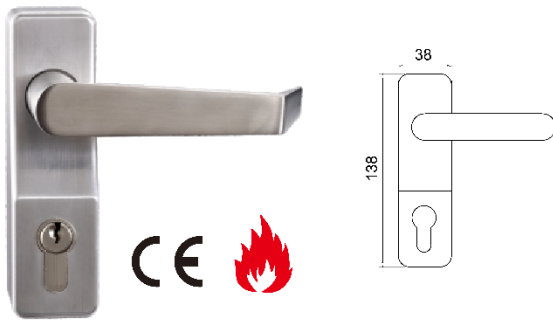
### 3- Pb1300 panic mortise push bar:

- Suitable for 72/85/92 mortise (pre ordered)
- Handed
- Certificates: EN1125, 376B1422AA/B  
EN1634, 2 hours fire rated.
- Material: Steel, Stainless steel, Plastic.
- Finishes: 1) Standard: Satin Stainless steel, Silver Painted.  
2) Optional: Polishing, PVD, Black.



Suitable to use with PD72, PE72, and PB72 mortise escape lock.

4- PB1001: External Device:



### Pb1001 External Trim

Escutcheon lever trim

For narrow stile doors

Function 08, key locks & unlocks handle

Free wheeling, clutch design

Non-handed

Stainless steel 304

Finish: SSS, PSS, PVD

EN1634 fire rated

---

## Pb4000 Series:

Panic exit bar suitable for steel and wooden doors.

Standard push bar length 850mm. Optional extended length is 1200mm.

Standard door length 2134mm. Optional extended rods for doors up to 2438mm.

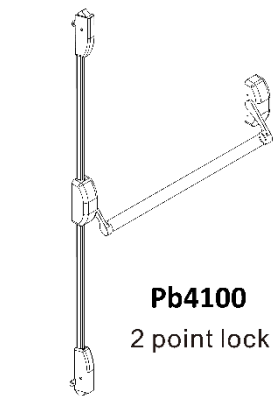
1- Pb4000 Panic Rim Push Bar:

- Non Handed
- Certificates: EN1125, 376B1422AA/B  
EN1634, 2 hours fire rated.
- Material: Steel, Stainless steel.
- Finishes: 1) Standard: Satin Stainless steel, Silver Painted.  
2) Optional: Polishing, PVD, Black, Red.



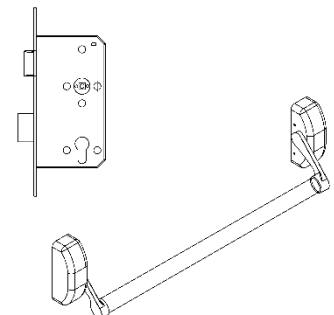
2- Pb4100 Panic bolts Push Bar:

- Non Handed
- Certificates: EN1125, 376B1422AA/B  
EN1634, 2 hours fire rated.
- Material: Steel, Stainless steel.
- Finishes: 1) Standard: Satin Stainless steel, Silver Painted.  
2) Optional: Polishing, PVD, Black, Red.



3- Pb4300 panic mortise push bar:

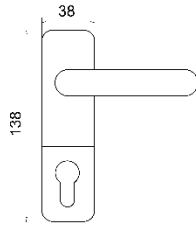
- Suitable for 72/85/92 mortise (pre ordered)
- Handed
- Certificates: EN1125, 376B1422AA/B  
EN1634, 2 hours fire rated.
- Material: Steel, Stainless steel.



- Finishes: 1) Standard: Satin Stainless steel, Silver Painted.  
2) Optional: Polishing, PVD, Black.

**Suitable to use with PD72, PE72, and PB72 mortise escape lock.**

4- PB1001: External Device:



### **Pb1001 External Trim**

Escutcheon lever trim

For narrow stile doors

Function 08, key locks & unlocks handle

Free wheeling, clutch design

Non-handed

Stainless steel 304

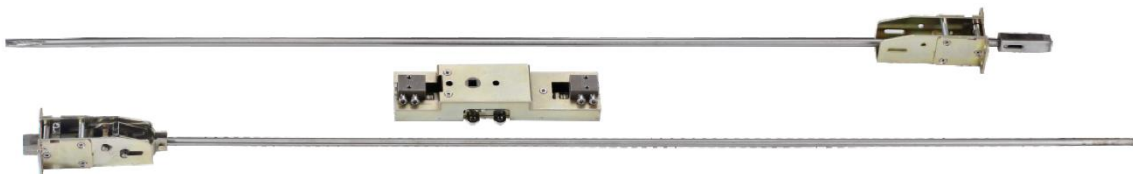
Finish: SSS, PSS, PVD

EN1634 fire rated

## **CV01 Concealed Rod:**

The Concealed Vertical Rods for Panic Exit Devices are designed to offer both exceptional functionality and refined elegance. Crafted from high-quality materials, these vertical rods are engineered for seamless integration with panic exit devices, providing a secure and reliable solution for emergency exits. Their concealed design ensures a sleek, unobtrusive appearance, making them the perfect choice for high-end, elegant doors where both safety and aesthetics are paramount. Whether for commercial or upscale residential spaces, these rods deliver superior performance while maintaining the door's sophisticated look.

- 1.CV01 is works mainly in PEDH, Pb 1300, and Pb4300 panic exit device series.
2. For single or double door
3. Minimum door thickness 44mm
4. Material: steel

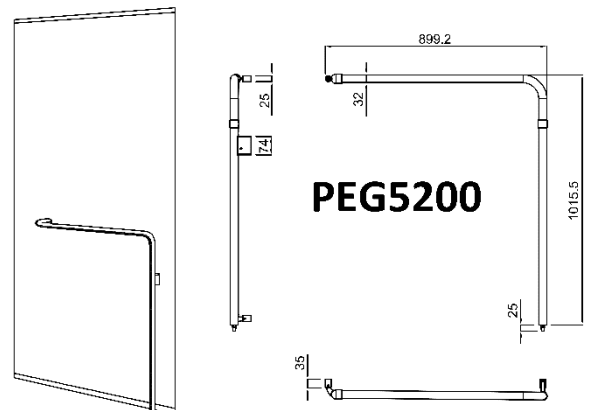
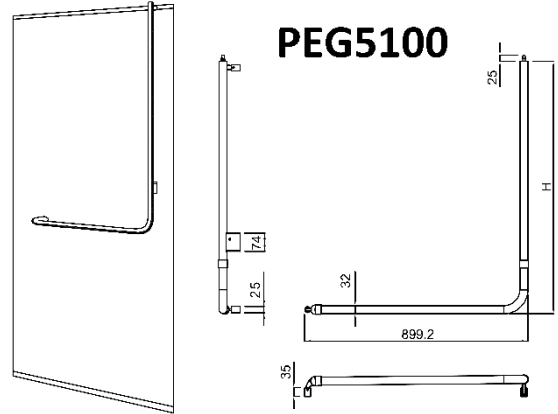


# PEG5000 Panic Exit Hardware for Glass Doors:

## PEG5100, PEG5200 for Glass Door

### Panic Function, interior modular

1. In any case, push bar to open door;
2. Key to lock/unlock the door. When unlocked, the bolt is retracted and the push bar is locked;
3. Should be assembled with exterior modular:
  - A. Exterior modular allows the door to be opened by pulling the handle when unlocked;when locked, the door cannot be opened by pulling the handle.
- B. The exterior modular is available in various models and designs.
- C. The exterior modular is fixed.
4. All panic devices come with dogging and a keyed access device.
5. Compliance to UL305, ULC/5132-93, ANSI/BHMA A156.3 Grade 1
6. ADA compliant
7. Maximum door height: 2,740mm
8. Material is stainless steel 304
9. Finishes: SSS



## PEG5300, PEG5400, PEG5500

### Exterior modular

1. Exterior modular is fixed;
2. Cylinder for locking/unlocking;
3. Should be assembled with interior modular:
  - A. When unlocked, pull the handle to open the door; the door cannot be pulled to open when locked.
  - B. Various models and designs are available.
4. Material is stainless steel 304

